



PLASTIFER 1968 · 2018

50 Anniversary



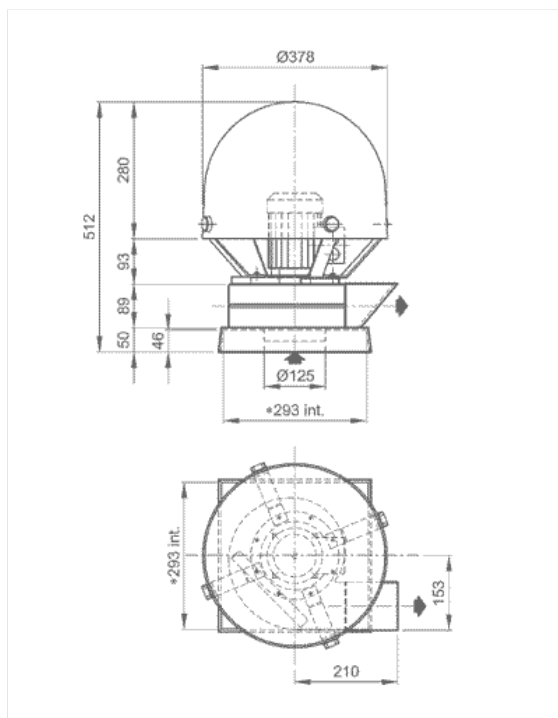
# VSBT 14



### Roof Extract Fan Low Pressure

Produced completely by injection moulding. Polypropylene housing and plinth resistant to UV rays. High-performance polypropylene impeller with forward curved blades, statically and dynamically balanced, incorporating a reinforced hub. Gaskets from corrosive material providing protection against shaft/case leakage. Polypropylene motor cover resistant to environmental factors. Stainless steel external assembly fittings. Available with three-phase and single phase single speed motors, two-speed motors with IP55 protection or Ex-d protection.

VSBT 14								
Q m <sup>3</sup> /h	Ht mmH <sub>2</sub> O	Hs mmH <sub>2</sub> O	kW	HP	g/min rpm	dB (A)	kg	kg Ex-d
100	12	11	0,18	0,25	1450	45	4,5	14
150	12	10				50		
250	8	2				56		
150	46	44	0,18	0,25	2900	57	4,5	13
200	48	44				60		
300	48	39				63		
450	36	17				67		





PLASTIFER 1968 · 2018

50 Anniversary



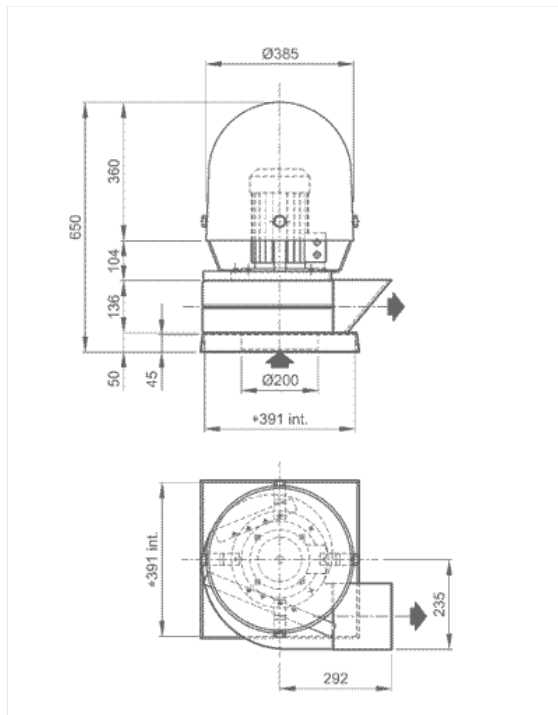
# VSBT 20



### Roof Extract Fan Low Pressure

Produced completely by injection moulding. Polypropylene housing and plinth resistant to UV rays with dual positions. High-performance polypropylene impeller with forward curved blades, statically and dynamically balanced, incorporating a reinforced hub. Gaskets from corrosive material providing protection against shaft/case leakage. Stainless steel external assembly fittings. Available with three-phase and single phase single speed motors, two-speed motors with IP55 protection or Ex-d protection.

VSBT 20								
Q m <sup>3</sup> /h	Ht mmH <sub>2</sub> O	Hs mmH <sub>2</sub> O	kW	HP	g/min rpm	dB (A)	kg	kg Ex-d
500	11	8	0,18	0,25	950	45	8	15
600	25	21	0,18	0,25	1450	57		
720	26	20						
950	21	11	1,1	1,5	2900	70	13	27
1100	95	82						
1300	102	83						
1600	100	71						





PLASTIFER 1968 · 2018

50 Anniversary



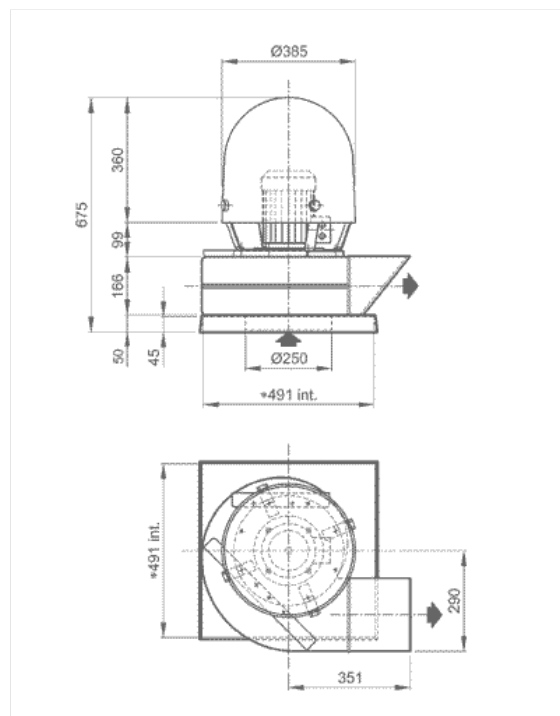
# VSBT 24



### Roof Extract Fan Low Pressure

Produced completely by injection moulding. Polypropylene housing and plinth resistant to UV rays with dual positions. High-performance polypropylene impeller with forward curved blades, statically and dynamically balanced, incorporating a reinforced hub. Gaskets from corrosive material providing protection against shaft/case leakage. Stainless steel external assembly fittings. Available with three-phase and single phase single speed motors, two-speed motors with IP55 protection or Ex-d protection.

VSBT 24								
Q m <sup>3</sup> /h	Ht mmH <sub>2</sub> O	Hs mmH <sub>2</sub> O	kW	HP	g/min rpm	dB (A)	kg	kg Ex-d
900	18	14	0,18	0,25	950	56	13	23
1500	15	4				59		
1100	40	34	0,55	0,75	1450	57	15	27
1450	41	31				61		
2200	33	10				65		
2000	152	133	2,2	3	2900	70	26	43
2200	162	139				71		





PLASTIFER 1968 · 2018

50  
Anniversary



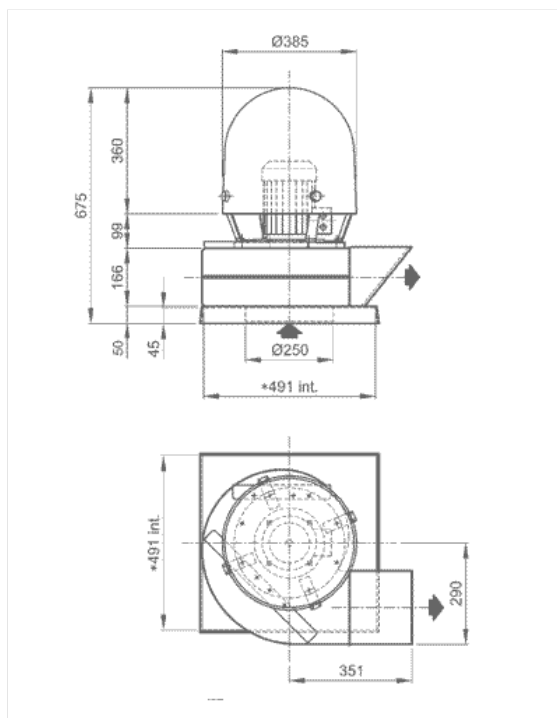
# VSBT 25



## Roof Extract Fan Low Pressure

Produced completely by injection moulding. Polypropylene housing and plinth resistant to UV rays with dual positions. High-performance polypropylene impeller with forward curved blades, statically and dynamically balanced, incorporating a reinforced hub. Gaskets from corrosive material providing protection against shaft/case leakage. Stainless steel external assembly fittings. Available with three-phase and single phase single speed motors, two-speed motors with IP55 protection or Ex-d protection.

VSBT 25								
Q m <sup>3</sup> /h	Ht mmH <sub>2</sub> O	Hs mmH <sub>2</sub> O	kW	HP	g/min rpm	dB (A)	kg	kg Ex-d
900	21	17	0,18	0,25	950	57	13	23
1500	17	6				60		
1100	48	42	0,55	0,75	1450	58	15	27
1450	48	38				62		
2200	40	17				66		
1800	185	170	2,2	3	2900	70	26	43
2200	190	167				72		





PLASTIFER 1968 · 2018

50 Anniversary



# VSBT 30



### Roof Extract Fan Low Pressure

Produced completely by injection moulding. Polypropylene housing and plinth resistant to UV rays with dual positions. High-performance polypropylene impeller with forward curved blades, statically and dynamically balanced, incorporating a reinforced hub. Gaskets from corrosive material providing protection against shaft/case leakage. Stainless steel external assembly fittings. Available with three-phase and single phase single speed motors, two-speed motors with IP55 protection or Ex-d protection.

VSBT 30								
Q m <sup>3</sup> /h	Ht mmH <sub>2</sub> O	Hs mmH <sub>2</sub> O	kW	HP	g/min rpm	dB (A)	kg	kg Ex-d
1000	26	24	0,37	0,5	950	60	25	38
1800	28	21						
2500	22	9						
1300	57	53	1,1	1,5	1450	65	29	45
1800	62	55						
3000	63	44						
4000	50	15						

